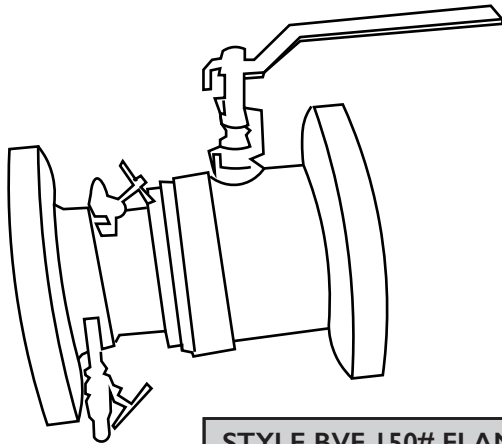




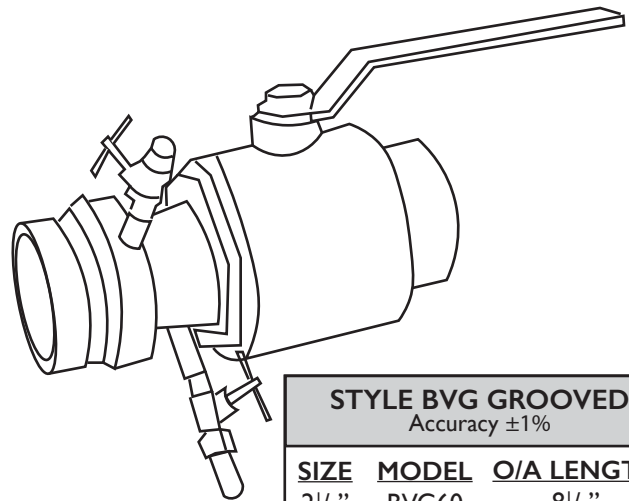
BALVALVE-VENTURIS



STYLE BVF 150# FLANGED
Accuracy ±1%

SIZE	MODEL	O/A LENGTH
2 1/2"	BVF60	8 1/4"
3"	BVF63	9 1/8"

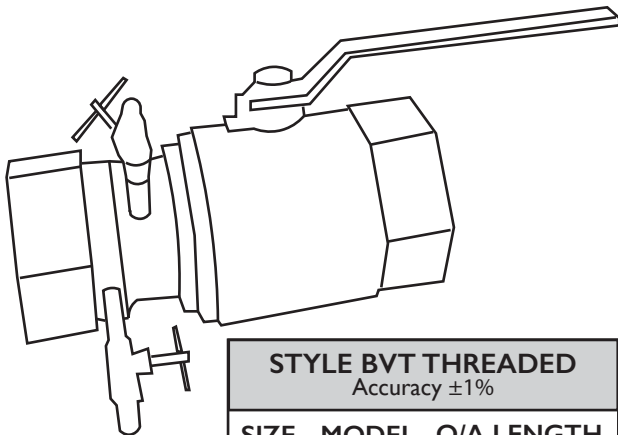
Rated for 600 PSI WOG



STYLE BVG GROOVED
Accuracy ±1%

SIZE	MODEL	O/A LENGTH
2 1/2"	BVG60	8 1/4"
3"	BVG63	9 1/8"

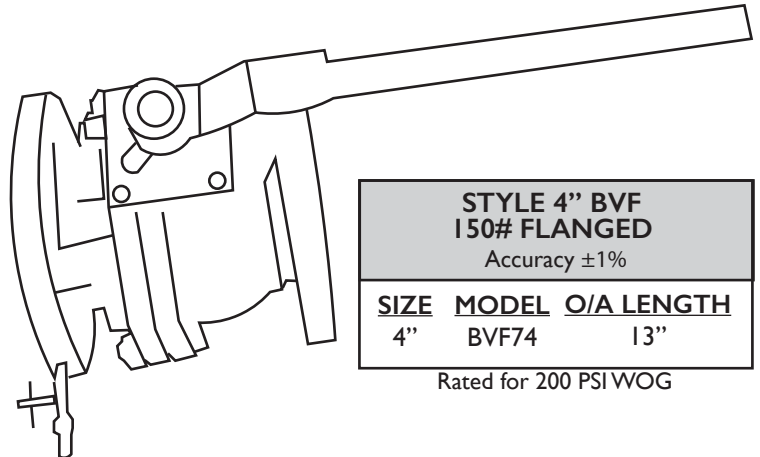
Rated for 600 PSI WOG



STYLE BVT THREADED
Accuracy ±1%

SIZE	MODEL	O/A LENGTH
2 1/2"	BVT60	8 1/4"
3"	BVT63	9 1/8"

Rated for 600 PSI WOG



STYLE 4\"/>

SIZE	MODEL	O/A LENGTH
4"	BVF74	13"

Rated for 200 PSI WOG

Materials & Design of 2 1/2" - 4" Models

Fixed Venturi - Ductile Iron Body - Standard Port Valve - Brass Hard Chrome Plated Ball - Teflon Seat
Blowout Proof Stem - Memory Locking Device - Positive Shut-Off Brass Meter Fittings - Chained Metal Tag

STANDARD RATING OF SYSTEM 250 PSI AND 250°F WATER

