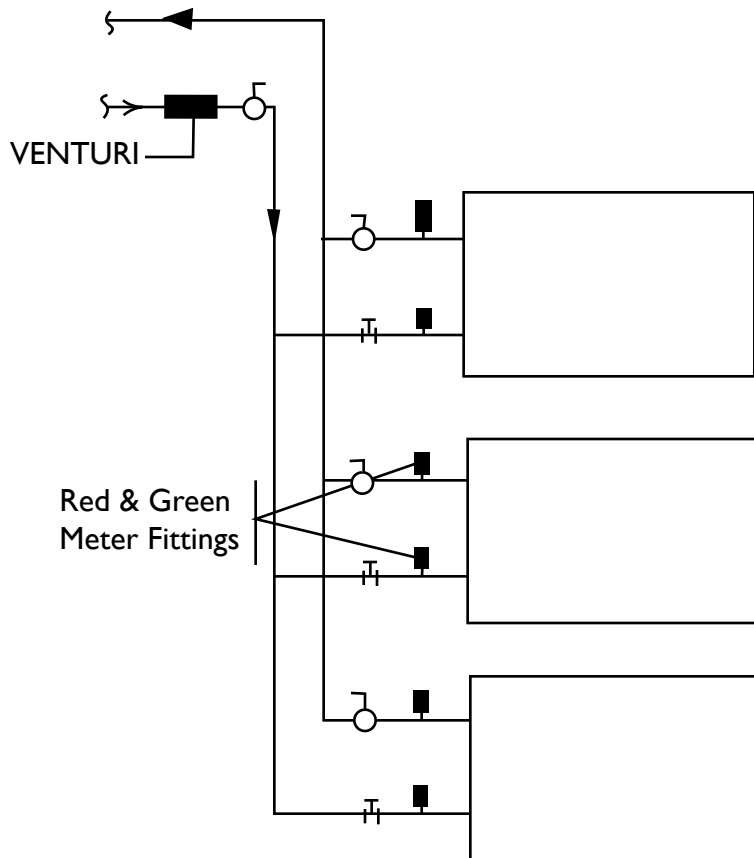




USE OF GERAND FLOW & TEMPERATURE METER MULTIPLE COIL BALANCING - FLOW & TEMPERATURE



STEP ONE:

Set balance valve on venturi for correct flow as per tag using Gerand flow meter.

STEP TWO:

Connect Gerand differential meter hoses to red and green disconnects on each coil. Adjust balance valve on each coil so that pressure differential is the same for each coil.

STEP THREE:

Using the same disconnects, temperature readings can be read on each coil as per instruction on the Gerand flow and temperature meter.

